

# Masport®

## 'TWIN DRIVE' REEL MOWER

Part Number 019208

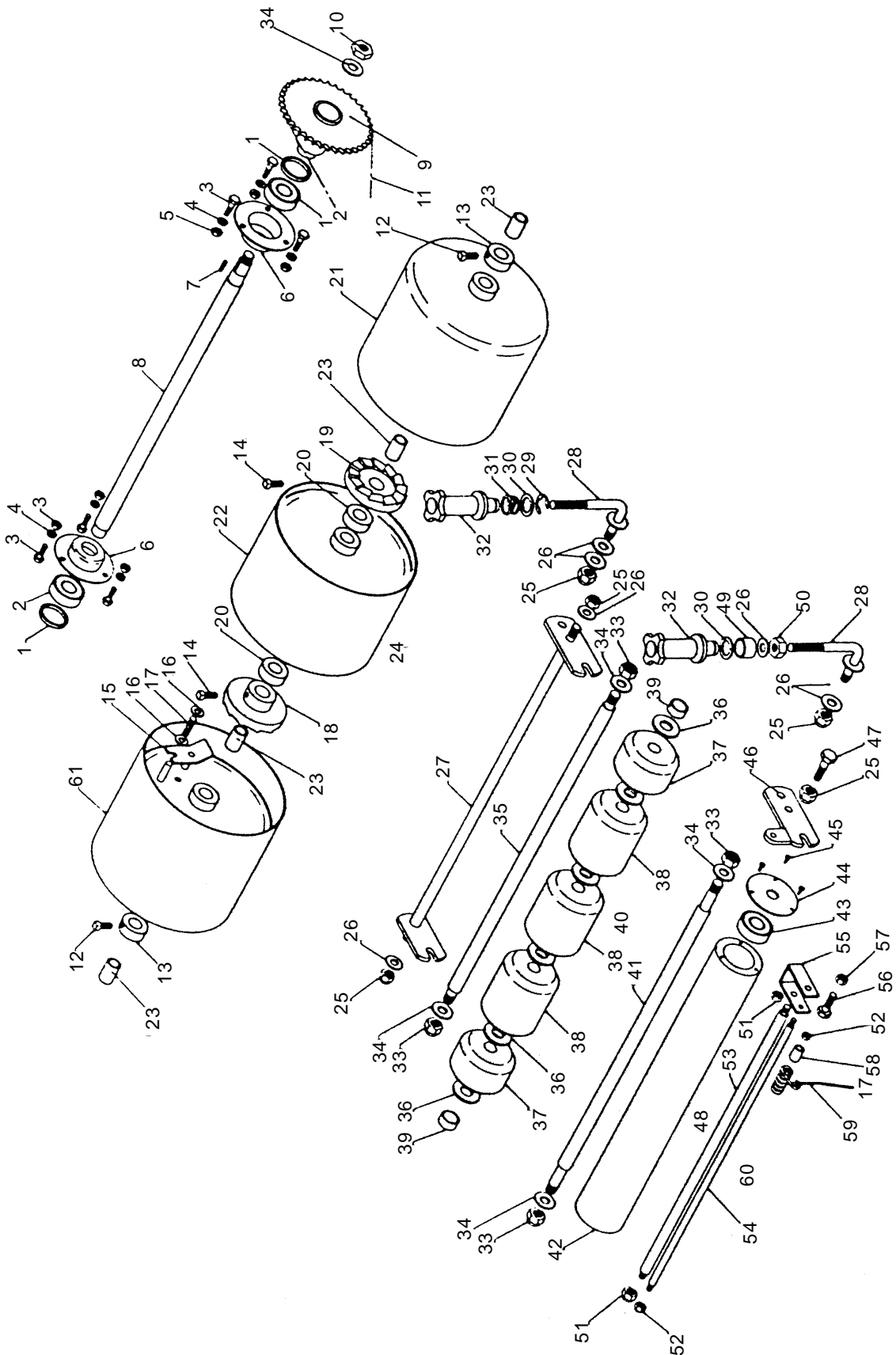
From Serial Number 5928



# ROLLER ASSEMBLY

# Masport®

350, 400, 500, 660  
 Powered by: 3HP Tecumseh  
 550 Golf, 660C, 660S  
 Powered by: 4HP Briggs & Stratton  
 Vanguard OHV





350, 400, 500, 660  
 Powered by: 3HP Tecumseh  
 550 Golf, 660C, 660S  
 Powered by: 4HP Briggs & Stratton  
 Vanguard OHV

**Masport**

**ROLLER  
 ASSEMBLY**

ITEM NO	DESCRIPTION	PART NUMBER (QUANTITY)					
		350	400	500	660	SPRINT	GOLF
1	SPACER - BEARING PLASTIC			L1060-120 (2)	L1060-120 (2)		
2	BEARING - Ø17 x Ø40 x 12 WIDE			FBRL080 (2)			FBRL070 (2)
3	SETSCREW - HEX M6 x 16			FBOPL05 (6)	FBOPL05 (6)		
4	WASHER - SPRING M6			FWAPL56 (6)	FWAPL56 (6)		
5	NUT - PLAIN M6			FNUPL06 (6)	FNUPL06 (6)		
6	HOUSING - BEARING (GOLF LH / RH)			L1060-145B (2)		L1760-125B	L1760-145B
7	KEY - DRIVE 1/8" x 3/4"			L1030-170	L1030-170		
8	SHAFT - ROLLER REAR	L1330-350	L1430-350	L1530-350	L1630-350	L1630-350	L1530-350
9	SPROCKET - ROLLER W/A			L1020-750	L1020-753		
10	NUT - HALF M12			L0110-013 (3)	L0110-013 (3)		
11	CHAIN - 3/8" PITCH x 52 LINKS			L1025-715	L1025-715		
12	SCREW - SQR HEAD 5/16" x 3/8"			L0107-040 (2)	L0107-040 (2)		
13	COLLAR - LOCKING REAR ROLLER			L1030-230 (2)	L1030-230 (2)		
14	SCREW - SQR HEAD 5/16" x 5/8"			L0107-041 (2)	L0107-041 (2)		
15	PAWL - REAR ROLLER			L1030-290 (2)	L1030-290 (2)		
16	WASHER - PLAIN 1/4"			L0115-040 (4)	L0115-040 (4)		
17	SPRING - REAR ROLLER PAWL			L1030-27 (2)	L1030-27 (2)		
18	RATCHET - REAR ROLLER RH			L1030-250	L1030-250		
19	RATCHET - REAR ROLLER LH			L1030-245	L1030-245		
20	TUBE - SPACER REAR ROLLER (660 ONLY)				L1630-200 (2)		
21	ROLLER - REAR END LH	L1330-320B	L1430-320B		L1530-320B		L1730-320B
22	ROLLER - REAR CENTRE (660 ONLY)				L1630-305B	L1630-305B	
23	BUSH - SINTERED						L1730-190 (4)
24	ROLLER - REAR (COMPLETE)	L1330-400	L1430-400	L1530-400	L1630-400	L1630-400	L1730-400
25	NUT - NYLOC M10			FNLPL10 (3)	FNLPL10 (3)	FNLPL10 (4)	FNLPL10 (4)
26	WASHER - PLAIN M10			FWAPL10 (4)	FWAPL10 (4)	WAPL10 (8)	FWAPL10 (8)
27	BRACKET - FRONT ROLLER W/A	L1345-300Z	L1445-300Z	L1545-300Z	L1645-300Z		
28	ADJUSTER - FRONT ROLLER W/A		L1045-230Z	L1045-230Z		L1045-230Z (2)	L1045-230Z (2)
29	CLIP - 'E' 5/8"		L0135-025	L0135-025			
30	WASHER - PLAIN M16 x 25		L0115-016	L0115-016		L0115-016 (2)	L0115-016 (2)
31	SPRING - ADJUSTER FRONT ROLLER		L1045-220	L1045-220			
32	HANDWHEEL - ADJUSTER FRONT ROLLER		L1045-240	L1045-240		L1045-240 (2)	L1045-240 (2)

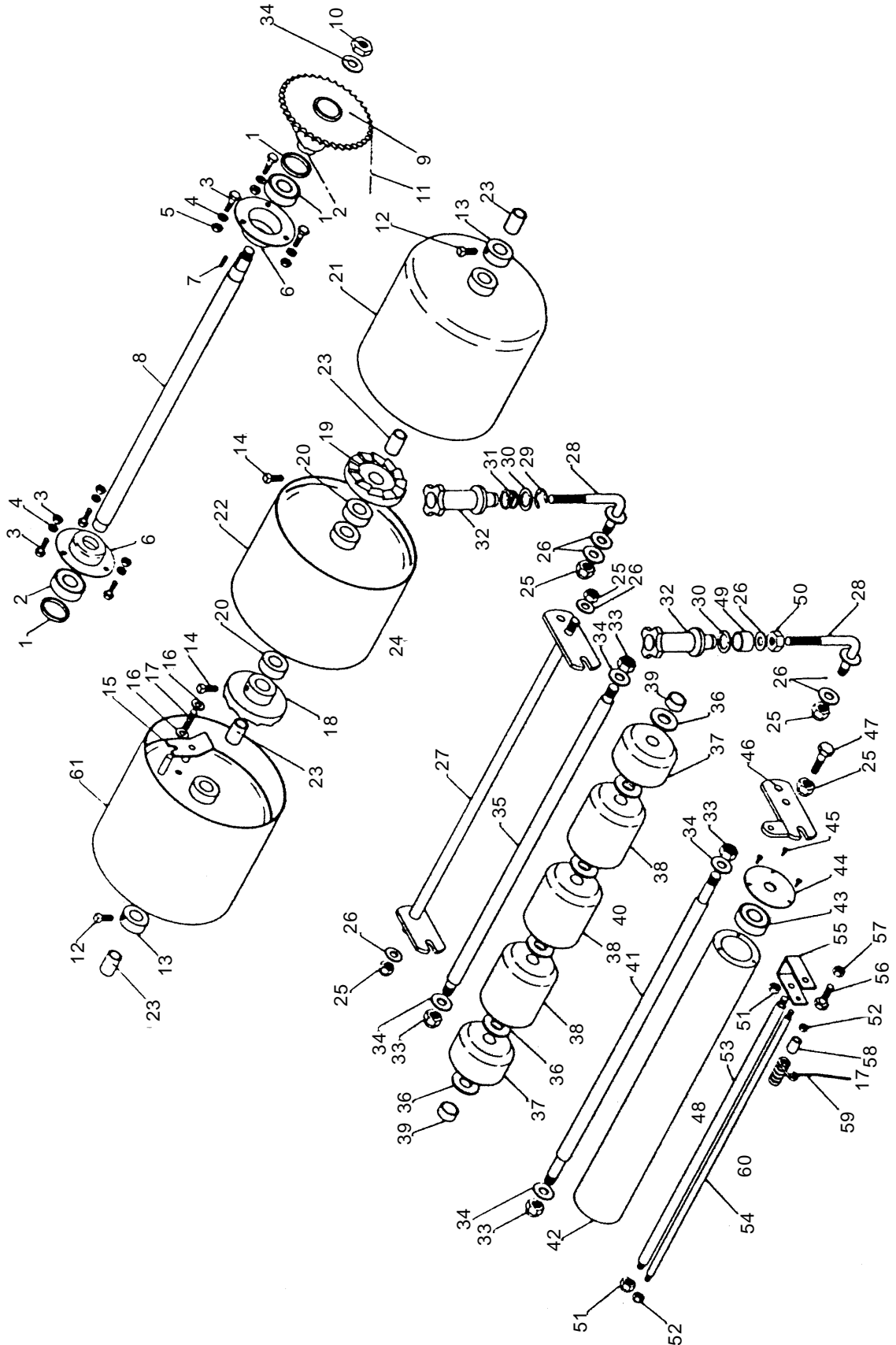
**NB: QUANTITY 1 UNLESS SHOWN (#) OTHERWISE**

When ordering PLEASE QUOTE PART NUMBER & Description, NOT Illustration No.  
 Determine right or left hand side from standing in operating position (standing at handle)

# ROLLER ASSEMBLY

# Masport®

350, 400, 500, 660  
 Powered by: 3HP Tecumseh  
 550 Golf, 660C, 660S  
 Powered by: 4HP Briggs & Stratton  
 Vanguard OHV





350, 400, 500, 660  
 Powered by: 3HP Tecumseh  
 550 Golf, 660C, 660S  
 Powered by: 4HP Briggs & Stratton  
 Vanguard OHV

**Masport**

**ROLLER  
 ASSEMBLY**

ITEM NO	DESCRIPTION	PART NUMBER (QUANTITY)					
		350	400	500	660	SPRINT	GOLF
33	NUT - NYLOC M12			FNLPL12 (2)	FNLPL12 (2)		
34	WASHER - PLAIN M12			FWAPL12 (2)	FWAPL12 (2)		
35	SHAFT - ROLLER FRONT (WOODEN)	L1345-395	L1445-395	L1545-395	L1645-395		
36	WASHER - M16 x 34 x 3	L0115-056 (6)	L0115-056 (7)	L0115-056 (8)	L0115-056 (10)		L0115-056 (0)
37	ROLLER - FRONT WOODEN 45 LONG	L1045-385 (1)	L1045-385 (2)	L1045-385 (2)	L1045-385 (2)		
38	ROLLER - FRONT WOODEN 82 LONG	L1045-390 (4)	L1045-390 (4)	L1045-390 (5)	L1045-390 (7)		
39	SPACER - ROLLER FRONT			L1545-350 (2)			
40	ROLLER - FRONT (COMPLETE)	L1345-400	L1445-400	L1545-400	L1645-400		
41	SHAFT - ROLLER FRONT (STEEL)					L1145-340	L1745-340
42	TUBE - ROLLER FRONT					L1145-345	L1745-345
43	BEARING - Ø17 x Ø40 x 12 WIDE (SEALED)					FBRL090 (2)	FBRL090 (2)
44	CAP - END ROLLER					L1745-200 (2)	L1745-200 (2)
45	SCREW - PAN HD. No.6 x 3/8" SLOTTED					FSCPL08 (6)	FSCPL08 (6)
46	BRACKET - ROLLER FRONT					L1745-200Z (2)	L1745-200Z (2)
47	BOLT - M10 x 25					FBOPL85 (2)	FBOPL85 (2)
48	ROLLER - FRONT STEEL (COMPLETE)					L1145-350	L1745-350
49	SPACER - HANDWHEEL					L1745-215 (2)	L1745-215 (2)
50	NUT - PLAIN M10					FNUPL10 (2)	FNUPL10 (2)
51	NUT - NYLOC THIN 3/8" UNF					L0111-046 (2)	L0111-046 (2)
52	NUT - NYLOC M6					FNLPL06 (2)	FNLPL06 (2)
53	SHAFT - TURF RAKE 1/2"					L1145-130	L1745-130
54	SHAFT - TURF RAKE 5/16"					L1145-140	L1745-140
55	BRACKET - TURF RAKE					L1745-105 (2)	L1745-105 (2)
56	SETSCREW - M8 x 16					FBOPL19 (2)	FBOPL19 (2)
57	NUT NYLOC M8					FNLPL08 (2)	FNLPL08 (2)
58	SPACER - TURF RAKE					L1745-120 (31)	L1745-115 (24)
59	TYNE - TURF RAKE					L1745-120 (31)	L1745-120 (24)
60	TURF RAKE ASSEMBLY					L1145-150	L1745-150
61	ROLLER - REAR END RH	L1330-325B	L1430-325B		L1530-325B		L1730-325B

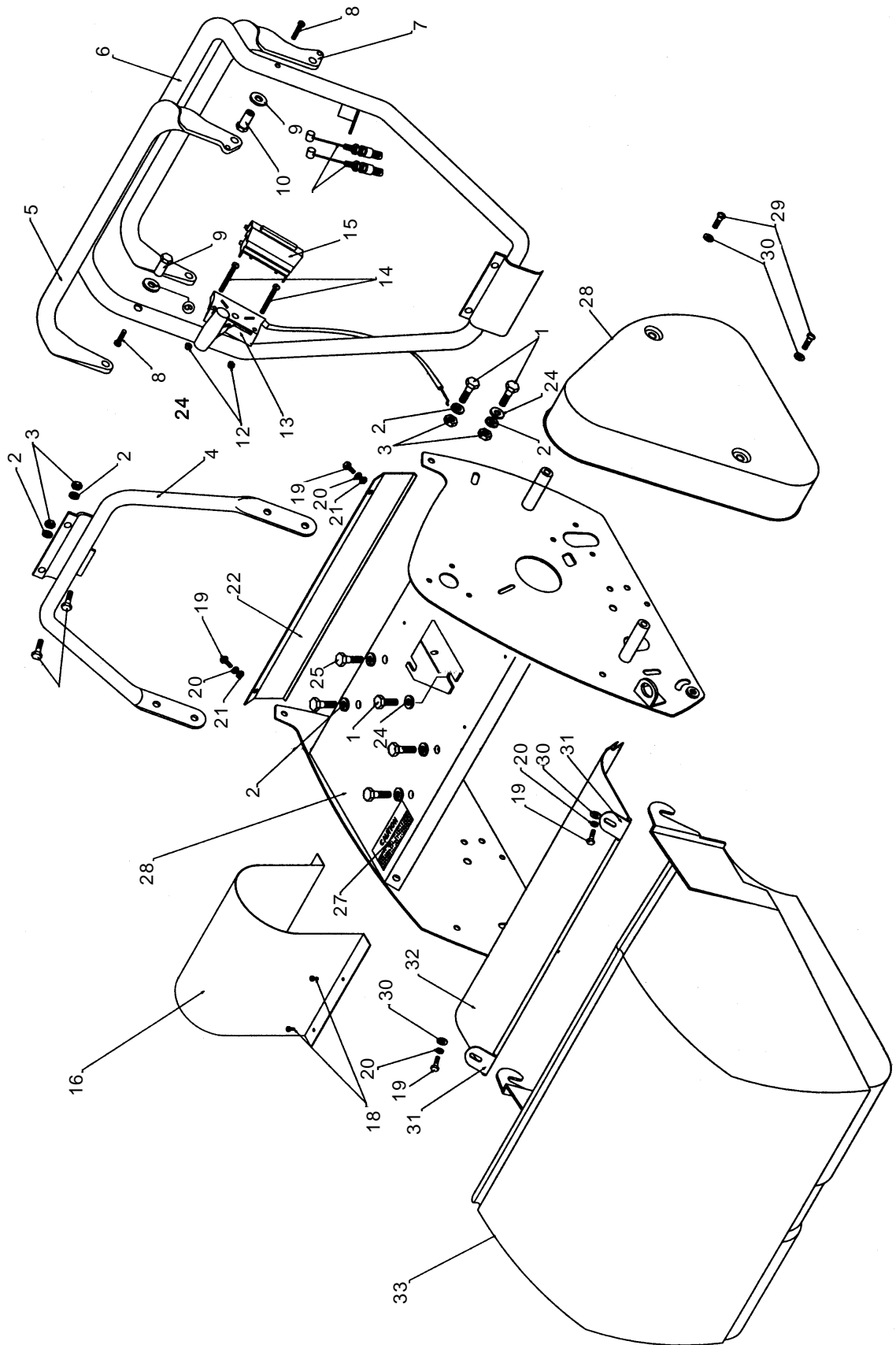
**NB: QUANTITY 1 UNLESS SHOWN (#) OTHERWISE**

When ordering PLEASE QUOTE PART NUMBER & Description, NOT Illustration No.  
 Determine right or left hand side from standing in operating position (standing at handle)

# FRAME ASSEMBLY

# Masport®

350, 400, 500, 660  
Powered by: 3HP Tecumseh  
550 Golf, 660C, 660S  
Powered by: 4HP Briggs & Stratton  
Vanguard OHV





350, 400, 500, 660  
 Powered by: 3HP Tecumseh  
 550 Golf, 660C, 660S  
 Powered by: 4HP Briggs & Stratton  
 Vanguard OHV



**FRAME  
 ASSEMBLY**

ITEM NO	DESCRIPTION	PART NUMBER (QUANTITY)					
		350	400	500	660	SPRINT	GOLF
1	SETSCREW - M8 x 20	FBOPL020 (6)					
2	WASHER - SPRING M8	FWAPL58 (10)					
3	NUT - PLAIN M8	FNUPL08 (6)					
4	HANDLE - LOWER W/A	L1350-150C	L1450-150C	L1550-150C	L1650-150C	L1550-150C	
5	LEVER - CLUTCH REEL	L1050-720B					
6	HANDLE - UPPER W/A	L1050-705C					
7	LEVER - CLUTCH ROLLER	L1050-730B					
8	SCREW - TAPTITE M5x10	L0108-037(2)					
9	WASHER - PLASTIC Ø10 x Ø20 x 1 WIDE	L1050-715 (4)					
10	BOSS - LEVER PIVOT	L1050-710Z (2)					
11	CABLE - CLUTCH ASSEMBLY	L1050-700 (2)					
12	NUT - NYLOC M5	FNLPL05 (2)					
13	THROTTLE CONTROL ASSEMBLY	L1050-090					
14	SCREW - PANHEAD M5 x 40	FSCPL05 (2)					
15	COVER - THROTTLE CONTROL						
16	COVER - SHAFT	L1310-700	L1410-700	L1510-700			
17	DECAL - MODEL						
18	SCREW - PANHEAD SLOT No.6 x 3/8"	FSCPL08 (4)					
19	SETSCREW - M6 x 12	FBOPL03 (2)				FBOPL03 (4)	
20	WASHER - SPRING M6	FWAPL56 (2)				FWAPL56 (4)	
21	NUT - PLAIN M6					FNUPL06 (2)	
22	SCRAPER - BACK ROLLER (GOLF)					L1710-100	
23	NOT AVAILABLE						
24	WASHER - PLAIN M8	FWAPL08 (2)					
25	BOLT - HEX M8 x 35	FBOPL35 (4)					
26	FRAME - W/A	L1305-710L	L1405-710L	L1505-710L	L1605-710L	L1105-710L	L1705-710L
27	DECAL - CAUTION	L1070-230					
28	GUARD - CHAIN	L1010-705					
29	SCREW - TAPTITE M6 x 16	L0108-030 (2)					
30	WASHER - PLAIN M6	FWAPL06 (4)					
31	TAB - GRASS THROWER	L1010-192 (2)					
32	PLATE - GRASS THROWER	L1310-200	L1410-200	L1510-200	L1610-200	L1510-200	
33	CATCHER ASSEMBLY	L1365-710	L1465-710	L1565-710	L1665-710	L1565-710	

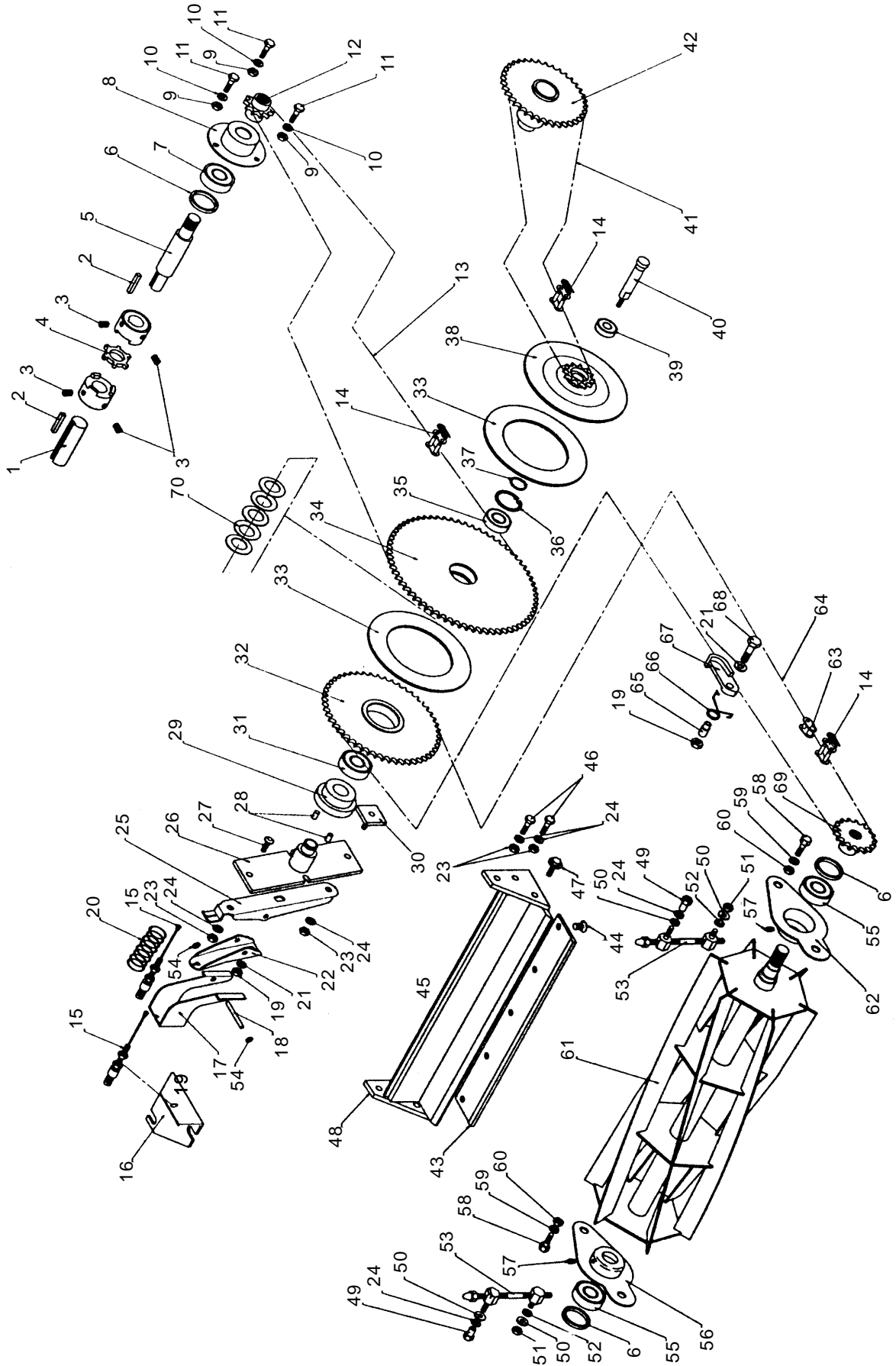
**NB: QUANTITY 1 UNLESS SHOWN (#) OTHERWISE**

When ordering PLEASE QUOTE PART NUMBER & Description, NOT Illustration No.  
 Determine right or left hand side from standing in operating position (standing at handle)

**DRIVE  
SYSTEM**

**Masport®**

350, 400, 500, 660  
 Powered by: 3HP Tecumseh  
 550 Golf, 660C, 660S  
 Powered by: 4HP Briggs & Stratton  
 Vanguard OHV







350, 400, 500, 660  
 Powered by: 3HP Tecumseh  
 550 Golf, 660C, 660S  
 Powered by: 4HP Briggs & Stratton  
 Vanguard OHV

**Masport**

**DRIVE  
SYSTEM**

ITEM NO	DESCRIPTION	PART NUMBER (QUANTITY)					
		350	400	500	660	SPRINT	GOLF
1	ENGINE - TECUMSEH / BRIGGS & STRATTON			L0200-110	L0200-120		
2	KEY - DRIVE 3/16" x 1" LONG			L1015-385 (2)	L1015-385 (2)		
3	SCREW - GRUB M5x10 LONG						
4	COUPLING - FLEXIBLE (COMPLETE)			L1015-700	L1015-700		
5	BAR - DRIVE	L1315-700B	L1415-700B		L1515-700B	L1515-700B	
6	SPACER - BEARING PLASTIC			L1060-120 (3)	L1060-120 (3)		
7	BEARING - Ø17 x Ø40 x 12 WIDE			FBRL080			FBRL070
8	HOUSING - BEARING		L1060-145	L1060-145		L1760-135	L1060-145
9	NUT - PLAIN M6			FNUPL06 (3)	FNUPL06 (3)		
10	WASHER - SPRING M6			FWAPL56 (3)	FWAPL56 (3)		
11	SETSCREW - M6 x 16 LONG			FBOPL05 (3)	FBOPL05 (3)		
12	SPROCKET - DRIVE MOTOR 11 / 10 TEETH			L1020-740	L1020-741		
13	CHAIN - 3/8" PITCH x 72 LINKS			L1025-725	L1025-725		
14	LINK - CHAIN CONNECTING 3/8" PITCH			L1025-440	L1025-440		
15	CABLE ASSEMBLY - CLUTCH			L1050-700 (2)	L1050-700 (2)		
16	BRACKET - CABLE RETAINER W/A			L1020-785B	L1020-785B		
17	BRACKET - CLUTCH REEL			L1020-710Z	L1020-710Z		
18	PIN - Ø6 x 45 LONG			L1020-770Z	L1020-770Z		
19	NUT - NYLOC M6			FNLPL06	FNLPL06		
20	SPRING			L1220-395	L1220-395		
21	WASHER - PLAIN M6			FWAPL06	FWAPL06		
22	LEVER - CLUTCH ROLLER			L1020-700Z	L1020-700Z		
23	NUT - PLAIN M8			FNUPL08 (6)	FNUPL08 (6)		
24	WASHER - SPRING M8			FWAPL58 (6)	FWAPL58 (6)		
25	BRACKET - CLUTCH ROLLER			L1020-705Z	L1020-705Z		
26	PLATE - CLUTCH MOUNT W/A			L1020-720B	L1020-720B		
27	BOLT - CARRIAGE M8 x 20 LONG			FBOPL21	FBOPL21		
28	PIN - CLUTCH THRUST			L1020-726 (2)	L1020-726 (2)		
29	BLOCK - CLUTCH THRUST			L1020-725	L1020-725		
30	BOLT - CLUTCH CLAMPING			L1020-765	L1020-765		
31	BEARING - Ø25 x Ø47 x 12 WIDE			FBRL130	FBRL130		
32	SPROCKET - CLUTCH REEL 51 TEETH			L1020-735	L1020-735		
33	LINING - CLUTCH			L1020-760 (2)	L1020-760 (2)		
34	SPROCKET - CLUTCH DRIVEN 66 TEETH			L1020-745	L1020-745		
35	BEARING - Ø17 x Ø35 x 10 WIDE			FBRL120	FBRL120		

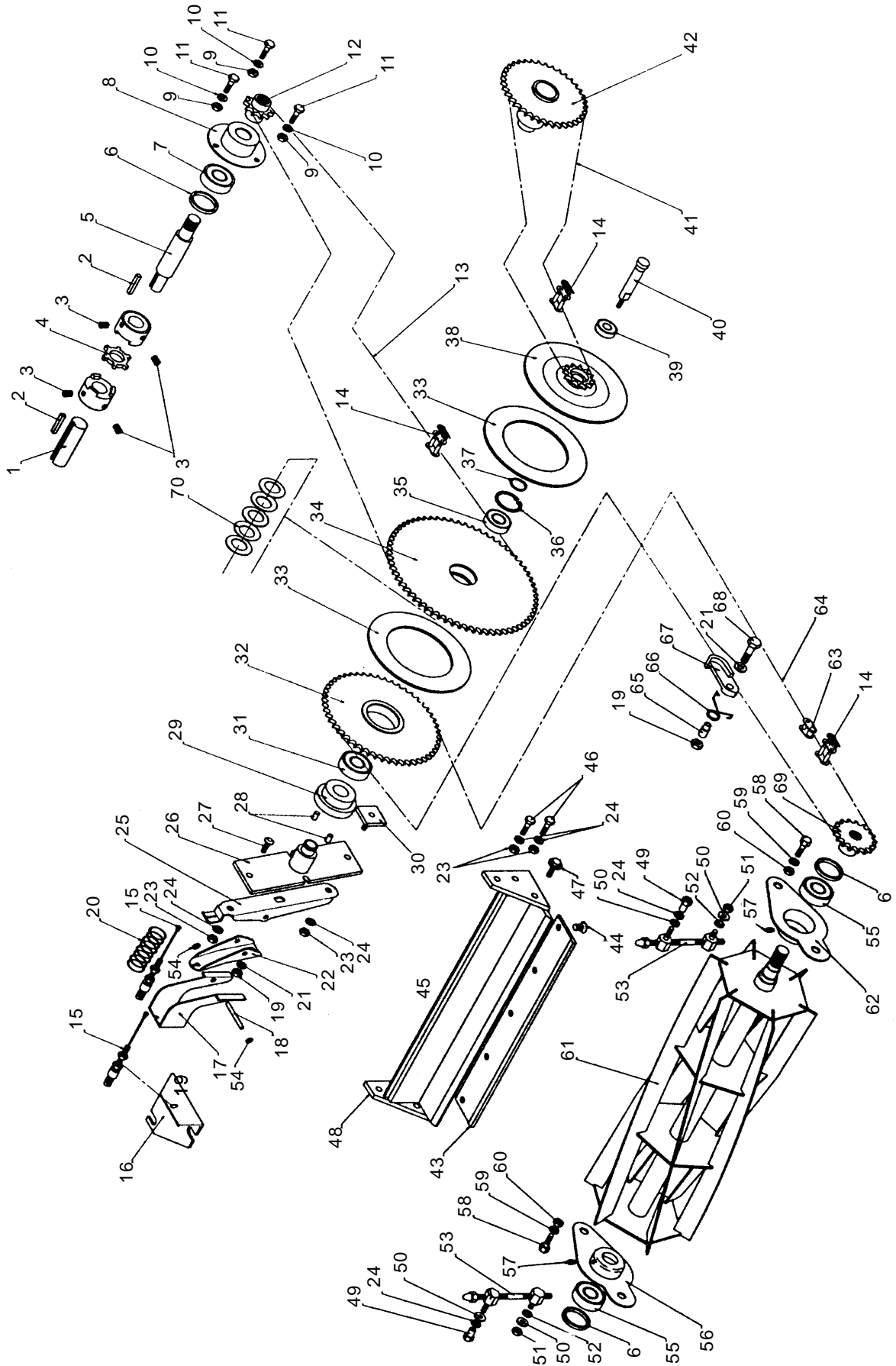
**NB: QUANTITY 1 UNLESS SHOWN (#) OTHERWISE**

When ordering PLEASE QUOTE PART NUMBER & Description, NOT Illustration No.  
 Determine right or left hand side from standing in operating position (standing at handle)

**DRIVE  
SYSTEM**

**Masport®**

350, 400, 500, 660  
 Powered by: 3HP Tecumseh  
 550 Golf, 660C, 660S  
 Powered by: 4HP Briggs & Stratton  
 Vanguard OHV





350, 400, 500, 660  
 Powered by: 3HP Tecumseh  
 550 Golf, 660C, 660S  
 Powered by: 4HP Briggs & Stratton  
 Vanguard OHV

**Masport**

**DRIVE  
SYSTEM**

ITEM NO	DESCRIPTION	PART NUMBER (QUANTITY)					
		350	400	500	660	SPRINT	GOLF
36	CIRCLIP - INTERNAL Ø35			L0135-064	L0135-064		
37	CIRCLIP - EXTERNAL Ø17			L0135-063	L0135-063		
38	PLATE - CLUTCH W/A			L1020-730	L1020-730		
39	BEARING - Ø12 x Ø24 x 6 WIDE			FBRL110	FBRL110		
40	BAR - CLUTCH CONTROL			L1020-715	L1020-715		
41	CHAIN - 3/8" PITCH x 52 LINKS			L1025-715	L1025-715		
42	SPROCKET - ROLLER W/A 37 TEETH				L1020-750	L1020-753	
43	BLADE BOTTOM	L1340-300B	L1440-300B	L1540-300B	L1640-300B	L1640-300B	L1740-295B
44	SCREW - SLOTTED CSK 5/16" UNC x 1/2"	FSCPL41 (5)	FSCPL41 (6)	FSCPL41 (7)	FSCPL41 (9)	FSCPL41 (9)	FSCPL41 (7)
45	BOTTOM BLADE ASSEMBLY	L1340-400B	L1440-400B	L1540-400B	L1640-400B	L1640-400B	L1740-400B
46	SETSCREW - M8 x 20 LONG	FBOPL20 (4)		FBOPL20 (4)	FBOPL20 (4)		
47	SCREW - TAPTITE DUO M8 x 20 LONG	L0108-039 (2)		L0108-039 (2)	L0108-039 (2)		
48	CARRIER - BOTTOM BLADE W/A	L1340-390B	L1440-390B	L1540-390B	L1640-390B	L1640-390B	L1740-390B
49	STUD - CATCHER			L1035-240Z (2)	L1035-240Z (2)		
50	WASHER - PLAIN M8			FWAPL08 (4)	FWAPL08 (4)		
51	NUT - NYLOC THIN 5/16" UNF			L0111-041 (2)	L0111-041 (2)		
52	WASHER - HOUSING REEL BEARING			L1035-202 (2)	L1035-202 (2)		
53	ADJUSTER ASSEMBLY - REEL			L1035-290 (2)	L1035-290 (2)		
54	GRIPFIX - M6			L0135-015 (2)	L0135-015 (2)		
55	BEARING - 6203Z			FBRL070	FBRL070		
56	HOUSING - BEARING REEL RH			L1035-215B	L1035-215B		
57	NIPPLE - GREASE STRAIGHT 1/4" SAE			L1060-110 (2)	L1060-110 (2)		
58	BOLT - REEL PIVOT ADJUSTER			L1035-230Z (2)	L1035-230Z (2)		
59	WASHER - SPRING 3/8"			L1035-200 (2)	L1035-200 (2)		
60	NUT - NYLOC 3/8" UNF			FNLPL45 (2)	FNLPL45 (2)		
61	REEL ASSEMBLY	L1335-400B	L1435-400B	L1535-400B	L1635-400B	L1635-400B	L1535-400B
62	HOUSING - BEARING REEL LH			L1035-205B	L1035-205B		
63	LINK - CHAIN HALF 3/8" PITCH			L1025-480	L1025-480		
64	CHAIN - 3/8" PITCH x 67 LINKS			L1025-720	L1025-720		
65	BOSS - CHAIN TENSION			L1020-700	L1020-700		
66	SPRING - REEL TENSION			L1025-705	L1025-705		
67	SHOE - CHAIN TENSION			L1025-710	L1025-710		
68	SETSCREW - M6 x 1.0 x 25 LONG			FBOPL08	FBOPL08		
69	SPROCKET - REEL 17 TEETH			L1020-755	L1020-755		
70	SPRING - DISC			L1020-762 (5)	L1020-762 (5)		

**NB: QUANTITY 1 UNLESS SHOWN (#) OTHERWISE**

When ordering PLEASE QUOTE PART NUMBER & Description, NOT Illustration No. Determine right or left hand side from standing in operating position (standing at handle)

<b>Part No.</b>	<b>Description</b>	<b>Qty</b>
<b>L1070-145</b>	<b>Decal - Twin Drive</b>	<b>2</b>
<b>L1070-230</b>	<b>Decal - Caution (reel)</b>	<b>1</b>
<b>L1370-150</b>	<b>Decal - Olympic 350</b>	<b>1</b>
<b>L1370-160</b>	<b>Decal - Catcher Olympic 350</b>	<b>1</b>
<b>L1470-150</b>	<b>Decal - Olympic 400</b>	<b>1</b>
<b>L1470-160</b>	<b>Decal - Catcher Olympic 400</b>	<b>1</b>
<b>L1570-150</b>	<b>Decal - Olympic 500</b>	<b>1</b>
<b>L1570-160</b>	<b>Decal - Catcher Olympic 500</b>	<b>1</b>
<b>L1670-150</b>	<b>Decal - Olympic 600</b>	<b>1</b>
<b>L1670-160</b>	<b>Decal - Catcher Olympic 600</b>	<b>1</b>

# **Masport<sup>®</sup>**

**Masport New Zealand Ltd**  
**1 - 37 Mt Wellington Highway**  
**P.O. Box 14 349**  
**Panmure**  
**Auckland 6**  
**NEW ZEALAND**  
**Phone: 64 9 570 9009**  
**Fax: 64 9 570 5555**